

Electro-permanent Holding Magnet



TYPE 68

Tel: +44 (0)1388 770 360 | sales@sgtransmission.com
www.sgtransmission.com

SG Transmission

Our type 68 electro-permanent holding magnets remain 'on', or energised, when no current is applied providing fail-safe functionality in the event of a power failure. As power is only applied briefly to release hold, electro-permanent holding magnets offer an energy efficient solution for applications where long holding times are required.

SG Transmission offers a standard range of type 68 electro-permanent holding magnets, ranging from Ø20 to Ø90mm in diameter and 40 to 1,200N in force, however special voltages, sizing's and mountings are available upon request.

Benefits

- Energy saving through power-off holding
- Fail safe in the event of power failure
- High holding force

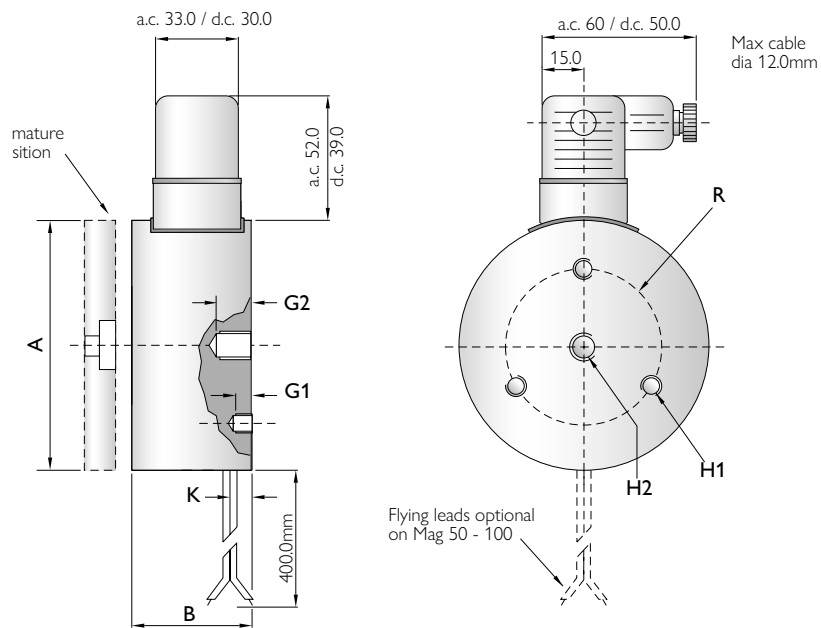
Features

- Available in a range of sizes Ø20-Ø90mm
- Axial forces ranging from 40 to 1,200N
- Special voltages/forces/mountings available on request
- Made in the UK

Key applications

- Locking solutions
- X-ray tables and medical applications
- Magnetic grippers
- Packaging machines
- Power switches

Technical data



Size	Axial force (N)	P20 (W)	Magnet weight (Kg)	A	B	G1	G2	H1	H2	K	R
20	40	3.6	0.04	20	22	-	4.5	-	M4	400	10
30	160	4.6	0.15	35	28	-	5	-	M4	400	15
50	420	8.9	0.50	55	36	-	5	-	M5	400	23
70	720	13.3	0.90	70	45	-	5	-	M8	400	30
90	1,200	21.7	1.50	90	48	-	7.5	-	M8	400	39

1. All magnets can be supplied with mounting flanges to suit any particular mounting requirements.
2. Pole faces can be supplied electro-plated, however this will result in approx 10% reduction in axial force.
3. All magnets can be supplied with flying leads, and the size 50 and above can be fitted with a 3-pole plug and free socket.