

Flange Mounted Power On Brake



SG Transmission

TYPE 52

Tel: +44 (0)1388 770 360 | sales@sgtransmission.com
www.sgtransmission.com

The flange mounted power on brake, also known as a single-surface or single-disc brake, generates a braking effect when the coil is energised. The brake body is mounted on the drive and when energised (working current) with nominal voltage, the armature disc is attracted through the minimal air gap to generate a static braking effect.

This power on brake is typically used to safely stop and hold a rotating force in position. Due to the integrated, abrasion-resistant and asbestos-free brake lining, it can also be used for dynamic braking applications. The force can be regulated up to the nominal voltage by an external voltage regulator.

The durable construction of this brake means that it is essentially zero backlash (torsionally rigid) creating an increased level of safety and accuracy.

Benefits

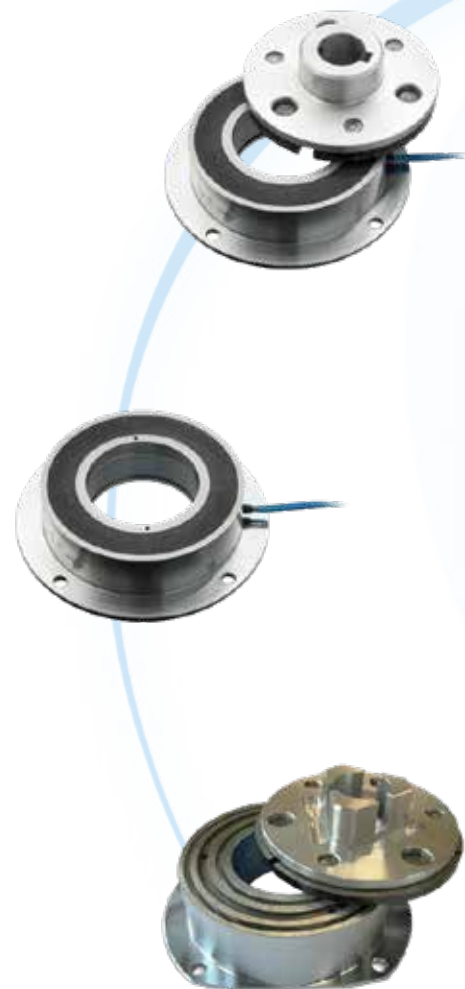
- Backlash free
- Long life expectancy
- Durable construction
- Low maintenance

Features

- Customisable
- High torque (multi pole) versions available
- Special voltages/forces/mountings available on request
- Insulation class F/H (155°C) as standard or higher on request
- Manufactured and tested to DIN VDE 0580
- Made in the UK

Key applications

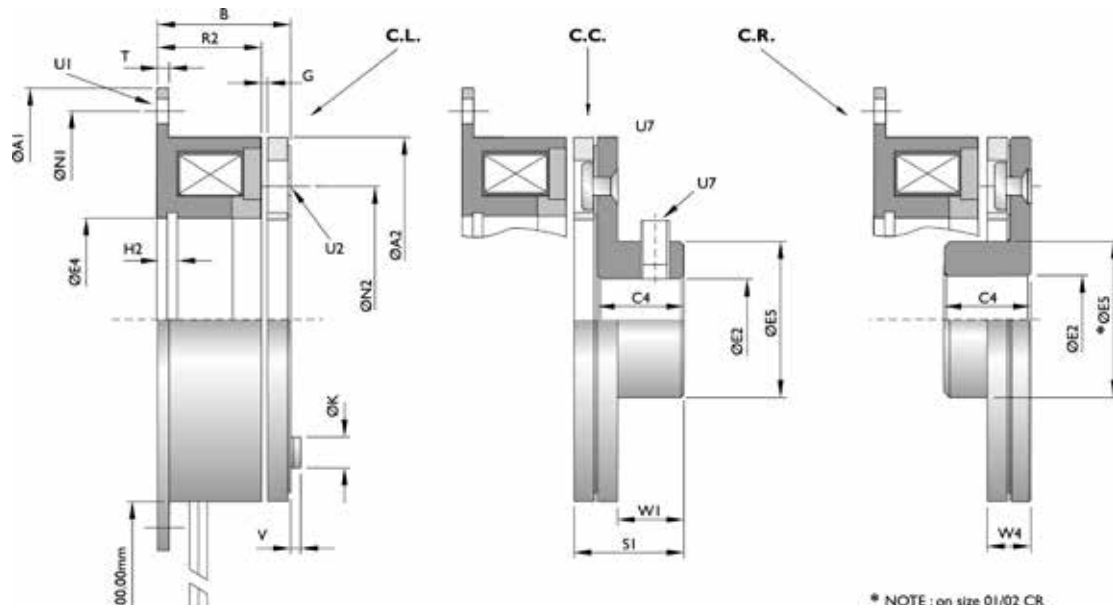
- Machinery
- Material handling
- Warehouse logistics
- Military
- Security
- Medical



SIZE FIELD MOUNTING ARMATURE TYPE BORE D.C. VOLTAGE

12 - BRAKE - F.M - C.R - 25 - 24

Technical data



Size	Torque TS (Nm)	Max P20 (w)	A1 H9	A2	B	C4	Max E2 H7	E4 H8	E5	G	H2	K	N1	N2	R2	S1	T	U1 x4	U2	U7	V	W1	W4
00	0.30	5	38	28.6	17	7	6.5	11	10	0.1	-	5	33.3	19.5	14	9.7	1.5	3.2	2x2.6	M3	1	4.5	4.7
01	0.60	6	38	30	18.5	10	6.5	11.5	12	0.1	-	5	33.3	19.5	16	12.8	1.5	2.6	2x2.6	M3	1	8	-
02	0.75	6	45	32	19.5	10	6.5	13	12	0.1	3	5	38	23	17	12.8	2	3.5	3x2.6	M3	1.5	8	4.8
03	1.20	8	54	40	23.2	12	10	19	17	0.15	3.2	6.1	47	30	20	15.3	2	3.5	3x3.1	M3	1.5	9.5	5.8
04	1.60	8	62	42	23.2	12	10	16	17	0.15	-	6.1	54	29	20	15.3	2	5	2x3.1	M3	1.5	9.5	5.8
05	3	10	65	50	25.2	12	15	26	24	0.2	3.2	6.1	58	38	22	15.3	2	3.5	3x3.1	M4	1.5	9.5	6
06	8	12	80	63	22	15	17	35	27	0.2	3.5	6.1	72	46	18	19	2	4.5	3x3.1	M5	1.5	11.5	7.5
07	8	12	89	66.5	36	15	17	27	27	0.2	-	6.1	79.5	46	32	19	2	5	3x3.1	M5	1.5	11.5	-
08	16	18	100	80	24.5	20	20	42	32	0.2	4.3	8	90	60	20	24.7	2.5	5.3	3x4.1	M5	2	16	8.7
10	32	25	125	100	28	25	30	52	42	0.2	5	9	112	76	22	30	3	6.5	3x5.1	M6	2	19	11
11	32	25	143	105	44	25	30	47.6	42	0.2	-	9	127	76	38	30	3	7.5	3x5.1	M6	2	19	-
12	65	32	150	125	31	30	35	62	49	0.3	5.5	10	137	95	24	37.2	3.5	6.5	3x6.1	M6	2.5	24	13
13	65	32	165	125	39	30	35	52.4	49	0.3	-	10	149	95	33	37.2	3.5	10.2	3x6.1	M6	2.5	24	-
16	120	45	190	160	35	38	40	80	65	0.3	6	13	175	120	26	48	4	9	3x8.2	M8	9	30	16
20	240	60	230	200	41.6	48	60	100	92	0.5	7	16	215	158	30	59	5	9	3x10.2	M8	11	39	20

High torque (multi-pole) versions

Size	Torque TS (Nm)	Max P20 (w)	A1 H9	A2	B	C4	Max E2 H7	E4 H8	E5	G	H2	K	N1	N2	R2	S1	T	U1 x4	U2	U7	V	W1	W4
SZ06	12	12	80	63	28	15	17	35	27	0.2	3.5	6.1	72	46	24	19	2	4.5	3x3.1	M5	1.5	11.5	7.5
SZ08	30	21	100	80	32.5	20	20	42	32	0.2	4.3	8	90	60	27	24.7	2.5	5.3	3x4.1	M5	2	16	8.7
SZ10	50	21	125	100	35	25	30	52	42	0.2	5	9	112	76	29	30	3	6.5	3x5.1	M6	2	19	11