

# Power On Flange Mounted Clutch



SG Transmission

TYPE 51

Tel: +44 (0)1388 770 360 | sales@sgtransmission.com  
www.sgtransmission.com

The power on flange mounted clutch (also known as electromagnetic power on clutch) transmits drive when the coil is energised. The flange mounted clutch can be engaged statically and dynamically and is available in various sizes, torques and multipole high torque versions.

Used to transmit rotary motion when the electrical power is turned on, the flange mounted clutch and can be supplied with various armature styles (C.L., C.C. or C.E.) to suit the intended design layout. These consist of an armature plate and return spring (C.L. form), an integral hub with a bore and key way ( C.C. form) or, with internal bearings (C.E. form).

The high torque variant (multi-pole) gives a higher static torque within a smaller envelope size reducing overall weight, wear and the number of start/stops required by the primary motor therefore improving motor life.

## Benefits

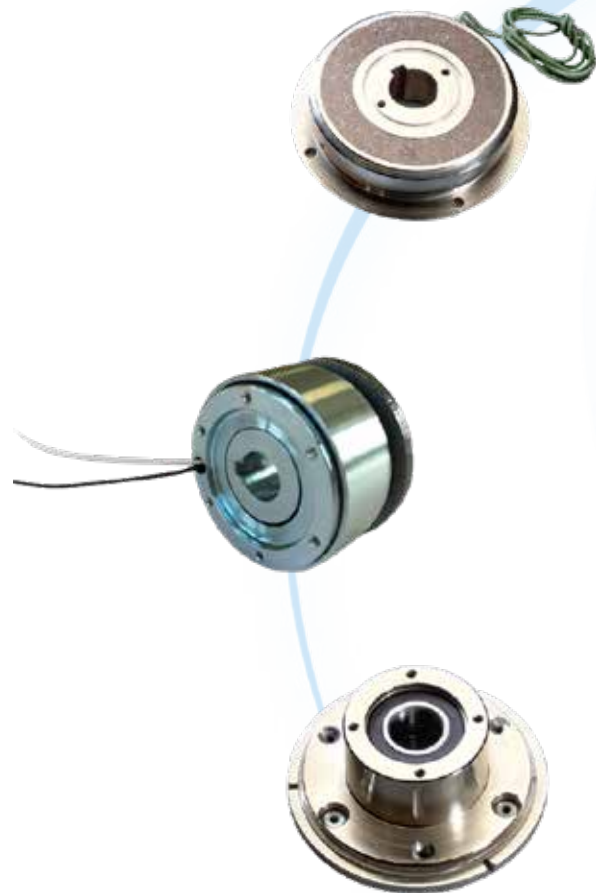
- Backlash-free
- Long life expectancy
- Durable construction
- Choice of drive hubs to suit application
- Ease of fitting
- Optional armature hubs

## Features

- 12v or 24v DC voltage
- Keyways to B.S. 4235
- Insulation class B

## Key applications

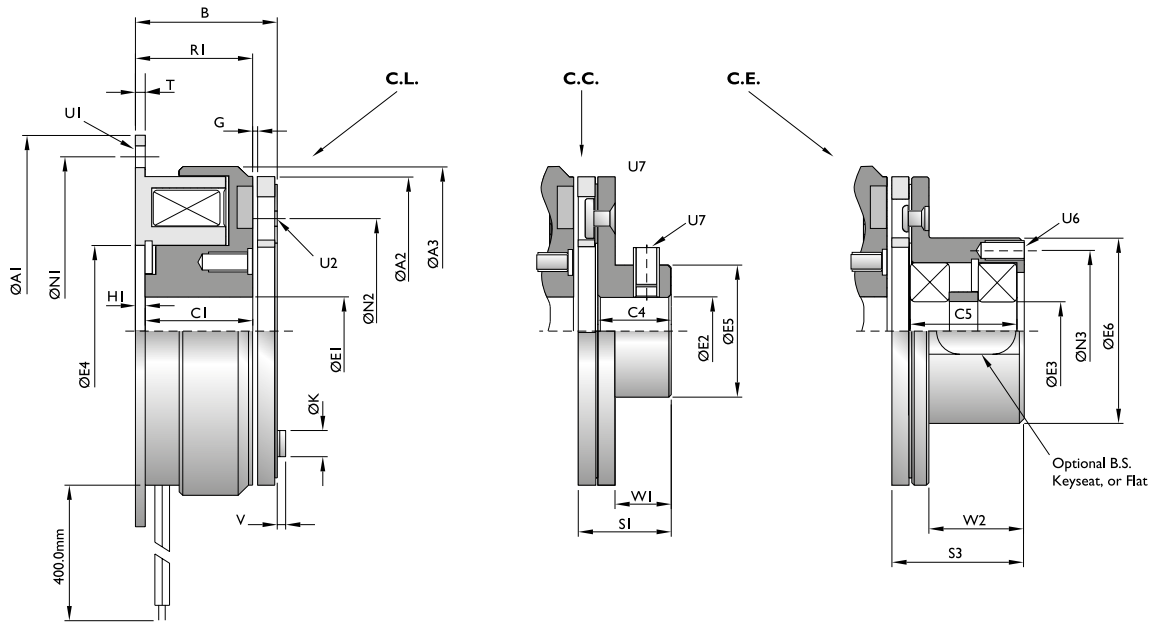
- Machinery
- Turnstiles and gates
- Conveyors
- Motor rollers



SIZE    FIELD MOUNTING    ARMATURE TYPE    ARMATURE BORE    ROTOR BORE    D.C. VOLTAGE

08 - CLUTCH - F.M. - C.C. - 15 - 20 - 24

# Technical data



Size	Torque TS (Nm)	Max P20 (w)	A1 H9	A2	A3	B	C1	C4	C5	Max E1 H7	Max E2 H7	E3	E4 H8	E5	E6 K6	G	H1	K	N1	N2	N3	R1	S1	S3	T	U1 x4	U2	U6	U7	V	W1	W2
00	0.30	5	38	28.6	28	18.6	12.5	7	-	6.5	6.5	-	11	10	-	0.1	0.5	5	33.3	19.5	-	15.5	9.7	-	1.5	3.2	2x2.6	-	M3	1	4.5	-
01	0.60	6	38	30	31	18.5	13.6	10	-	6.5	6.5	-	11.5	12	-	0.1	0.5	5	33.3	19.5	-	16.5	12.8	-	1.5	2.6	2x2.6	-	M3	1	8	-
02	0.75	6	45	32	34	25	20.2	10	-	6.5	6.5	-	13	12	-	0.1	2	5	38	23	-	22.2	12.8	-	2	3.5	3x2.6	-	M3	1.5	8	-
03	1.20	8	54	40	43	28.5	23.4	12	-	10	10	-	19	17	-	0.15	2.2	6.1	47	30	-	25.6	15.3	-	2	3.5	3x3.1	-	M3	1.5	9.5	-
04	1.60	8	62	42	44	28.8	19	12	-	10	10	-	19	17	-	0.15	2.2	6.1	54	29	-	25.4	15.3	-	2	5	2x3.1	-	M3	1.5	9.5	-
05	3	10	65	50	54	31.8	26.1	12	12	15	15	7	26	24	30	0.2	2	6.1	58	38	24	28.1	15.3	18	2	3.5	3x3.1	3xM3	M4	1.5	9.5	12
06	8	15	80	63	66.5	28	22	15	20	17	17	12	35	27	38	0.2	2	6.1	72	46	33	24	19	27	2	4.5	3x3.1	3xM4	M5	1.5	11.5	20
07	8	15	89	63	68	36	22.5	15	20	15	17	12	27	27	38	0.2	9.5	6.1	79.5	46	33	32	17	27	2	5	3x3.1	3xM4	M5	1.5	11.5	20
08	16	18	100	80	85	31	24	20	23.5	22	20	15	42	32	45	0.2	2.5	8	90	60	37	26.5	24.7	34	2.5	5.5	3x4.1	3xM4	M5	2	16	25
10	32	31	125	100	107	36	27	25	32	30	30	20	52	42	55	0.2	3	9	112	76	47	30	30	41	3	6.5	3x5.1	4xM4	M6	2	19	30
11	32	25	143	105	107	42	33	25	32	25	30	20	47.6	42	55	0.2	4.7	9	127	76	47	38	30	41	3	7.5	3x5.1	4xM4	M6	2	20	30
12	65	32	150	125	133	41	30	30	42	40	35	25	62	49	64	0.3	3.5	10	137	95	52	33.5	37.2	53.5	3.5	6.5	3x6.1	4xM4	M6	2.5	24	40
16	120	45	190	160	170	47	38	38	54	50	40	30	80	65	75	0.3	3.5	13	175	120	62	37.5	48	66	4	9	3x8.2	6xM5	M8	9	30	50
20	240	65	230	200	213	54	40	48	67	65	60	40	100	92	90	0.5	4	16	215	158	75	44	59	80.9	5	9	3x10.2	4xM6	M8	11	39	60