

Ball Bearing Mounted Clutch



SG Transmission

TYPE 51

Tel: +44 (0)1388 770 360 | sales@sgtransmission.com
www.sgtransmission.com

The ball bearing mounted clutch offers a low-cost and simple option for the transmission of motion in a drive train. The ball bearing mounted clutch is used for mounting onto shafts for high speed and transmission of power.

Specific applications can be catered for and many fixing options are available depending on the size and location of the drive components.

Benefits

- Compact size
- High torque
- No slip
- Zero drag torque
- Power on engagement

Features

- 12v or 24v DC voltage
- Keyways to B.S. 4235
- Insulation class B

Key applications

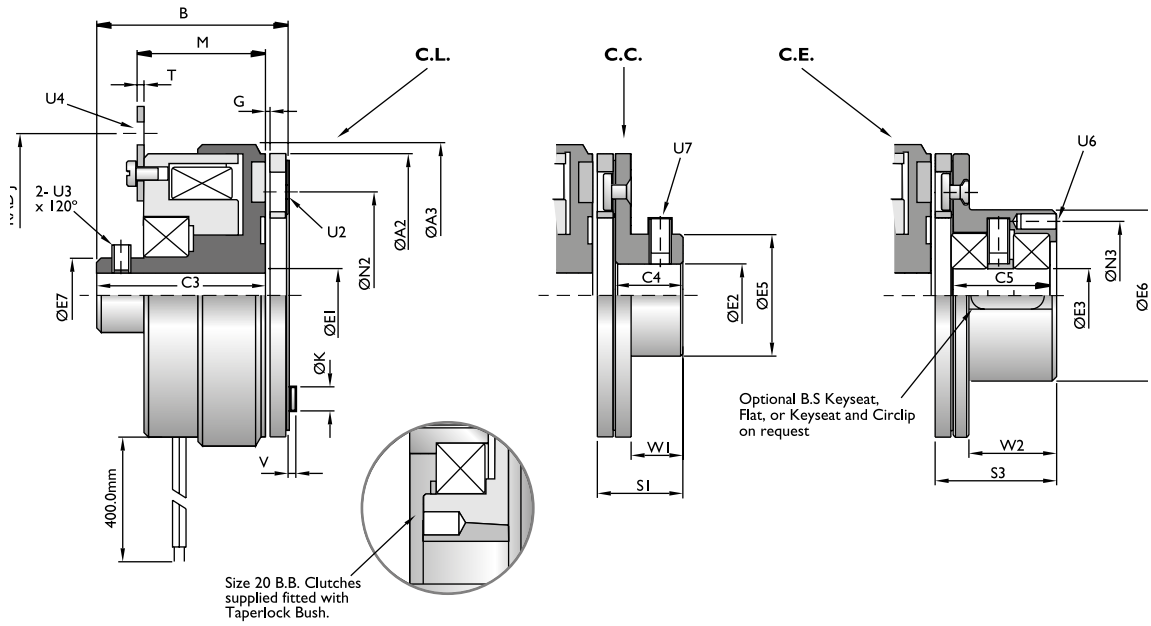
- Machinery
- Turnstiles and gates
- Conveyors
- Motor rollers



SIZE FIELD MOUNTING ARMATURE TYPE ARMATURE BORE ROTOR BORE D.C. VOLTAGE

10 - CLUTCH - B.B. - C.E. - 20 - 20 - 24

Technical data



Size	Torque TS (Nm)	Max P20 (w)	A2	A3	B	C3	C4	C5	Max E1 H7	Max E2 H7	E3	E5	E6 K6	E7	G	J	K	M	N2	N3	S1	S3	T	U2	U3	U4	U6	U7	V	W1	W2
05	3	10	50	54	33	30	12	12	8	15	7	24	30	10	0.2	28	6.1	26	38	24	15.3	18	1.5	3x3.1	M4	SLOT 5.10	3xM3	M4	1.5	9.5	12
06	8	12	63	67	44	40	15	20	12	17	12	27	38	16.5	0.2	36	6.1	28.5	46	33	19	27	1.5	3x3.1	M4	SLOT 5.10	3xM4	M5	1.5	11.5	20
07	8	12	66.5	68	40	36	15	20	12	17	12	27	38	16.5	0.2	40	6.1	28.5	46	33	19	27	1.5	3x3.1	M5	HOLE 5.10	3xM4	M5	1.5	11.5	20
08	16	18	80	85	37	32	20	23.5	17	20	15	32	45	25	0.2	45	8	28	60	37	24.7	34	1.5	3x4.1	M4	SLOT 5.00	3xM4	M5	2	16	25
10	32	25	100	107	55	49	25	32	25	30	20	42	55	35	0.2	58.5	9	39.1	76	47	30	41	2	3x5.1	M6	HOLE 5.50	4xM4	M6	2	19	30
11	32	25	105	107	52	46	25	32	25	30	20	42	55	35	0.2	58.5	9	39.1	76	47	30	41	2	3x5.1	M6	HOLE 5.50	4xM4	M6	2	19	30
13	65	32	125	133	59	52	30	42	28	35	25	49	64	40	0.3	71	10	43	95	52	37.2	53.5	2	3x6.1	M6	SLOT 6.10	4xM4	M6	2.5	25	40
16	120	45	160	170	71	62	38	54	40	40	30	65	75	60	0.3	92	13	52.5	120	62	48	66	2.5	3x8.2	M8	SLOT 8.10	6xM5	M8	9	30	50
20	240	50	200	213	53	43	40	67	40	60	40	83	90	80	0.5	127	16	52.5	158	75	50	80.9	3	3x10.2	-	SLOT 9.50	4xM6	M8	11	30.5	60