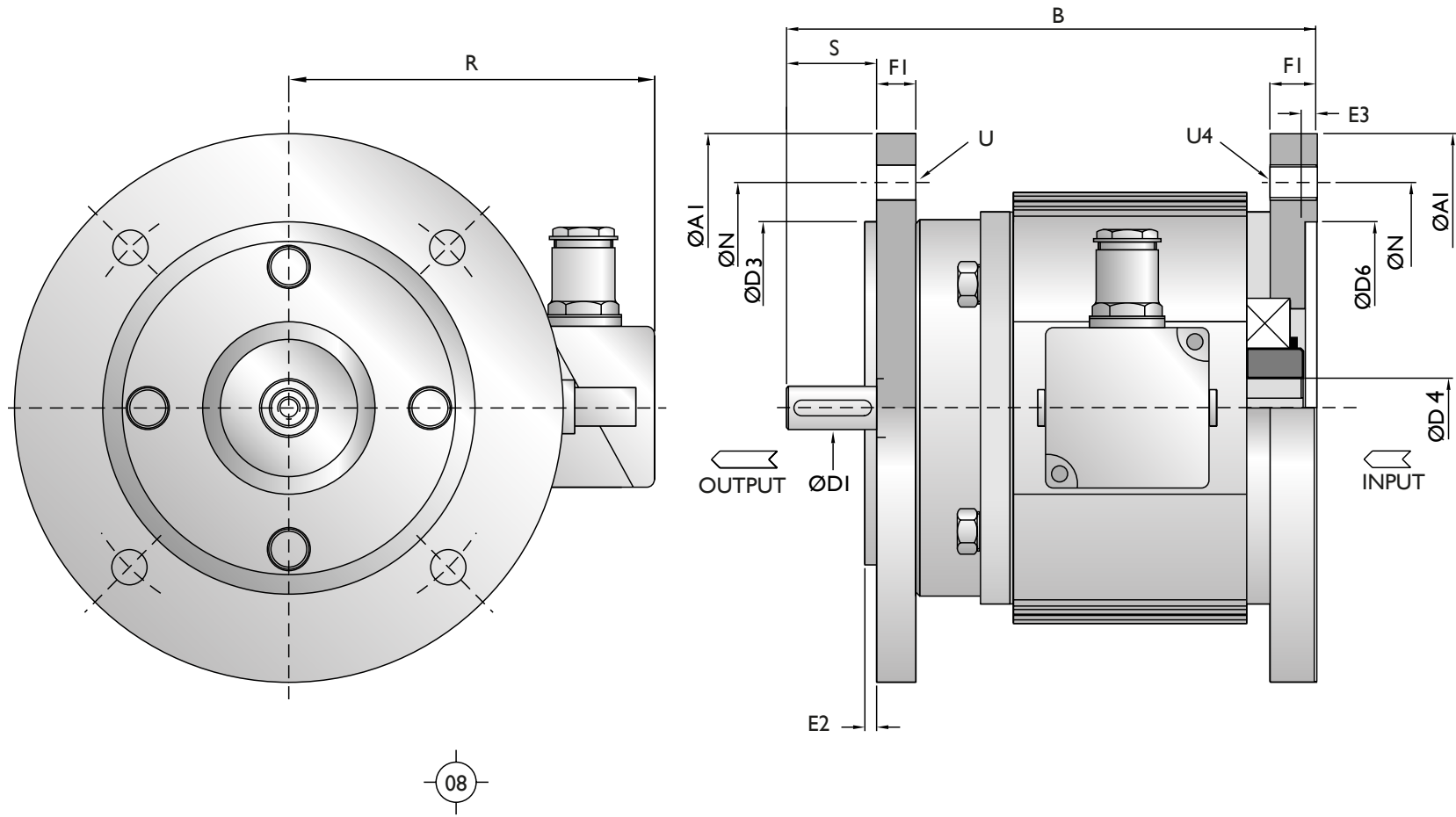


Clutch Brake (08) Type 55



**SG Transmission**

ELECTROMAGNETIC CLUTCH AND BRAKE SOLUTIONS