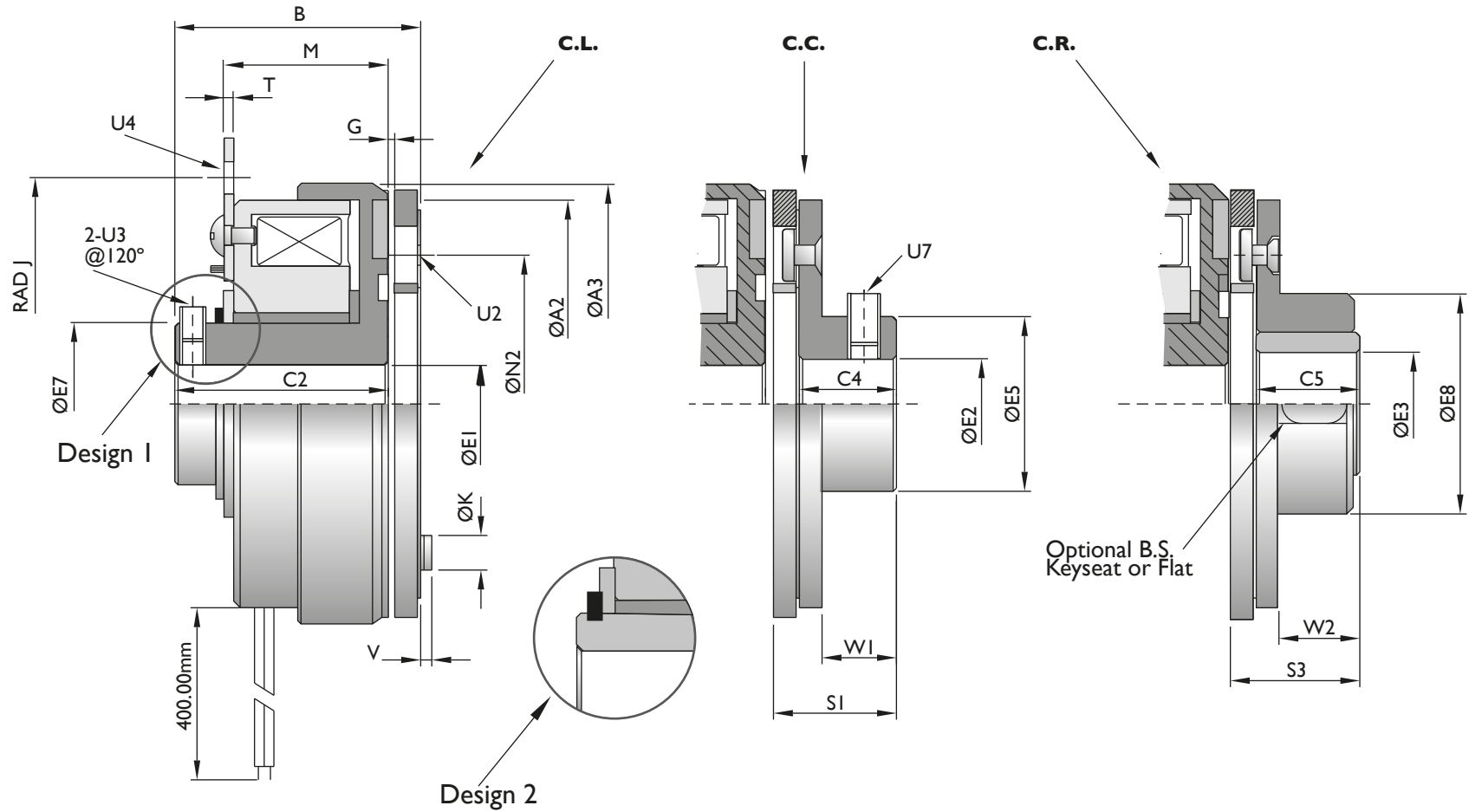


Sleeve Bearing Mounted Clutch Type 51



SG Transmission

ELECTROMAGNETIC CLUTCH AND BRAKE SOLUTIONS