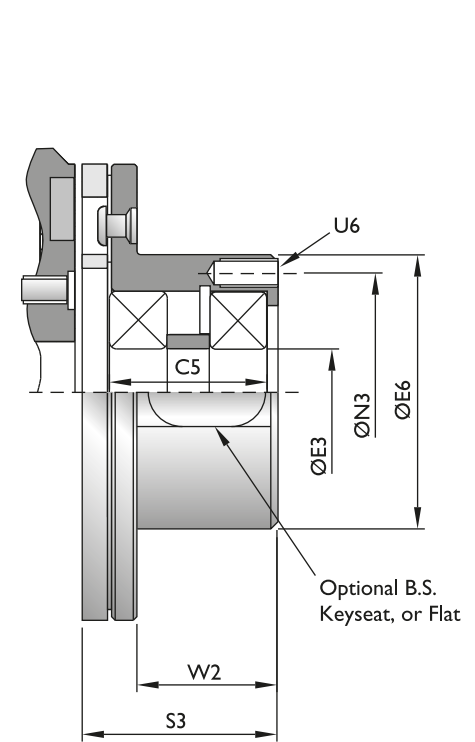
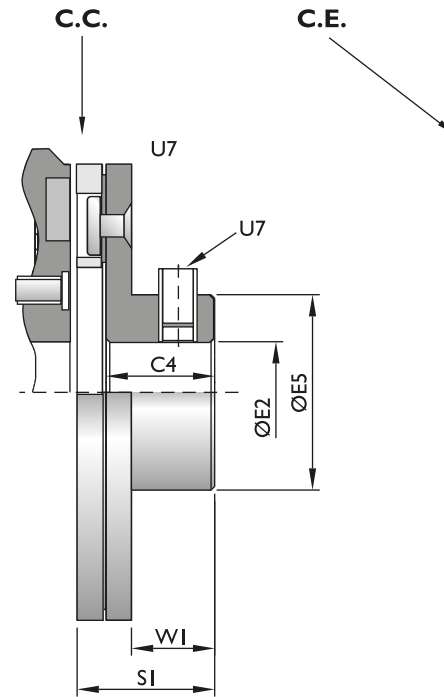
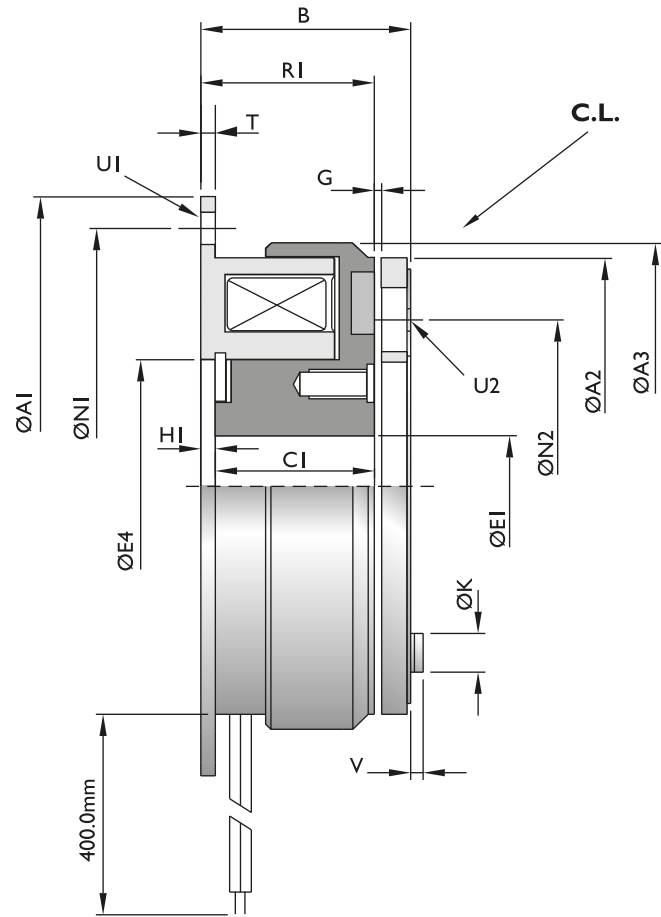


Power On Flange Mounted Clutch Type 51



SG Transmission

ELECTROMAGNETIC CLUTCH AND BRAKE SOLUTIONS