

Toothed Clutch

TYPE 71

Tel: +44 (0)1388 770 360 | sales@sgtransmission.com
www.sgtransmission.com



SG Transmission

The toothed clutch offers a higher torque than conventional, single face friction clutches. The clutch may be engaged while at a standstill or synchronized with the toothed driving ring speed.

This product can be used dry or in oil and will work up to a maximum temperature of 90°C.

This toothed clutch is ideal for applications where precise timed start/stops are required or where the mechanism is occasionally required to disengage.

Benefits

- Compact size
- High torque
- No slip
- Zero drag torque
- Power on engagement

Features

- Insulation Class B
- Keyways to B.S. 4235
- Circlip grooves to B.S. 3673
- Optional number of teeth
- Optional voltages

Key applications

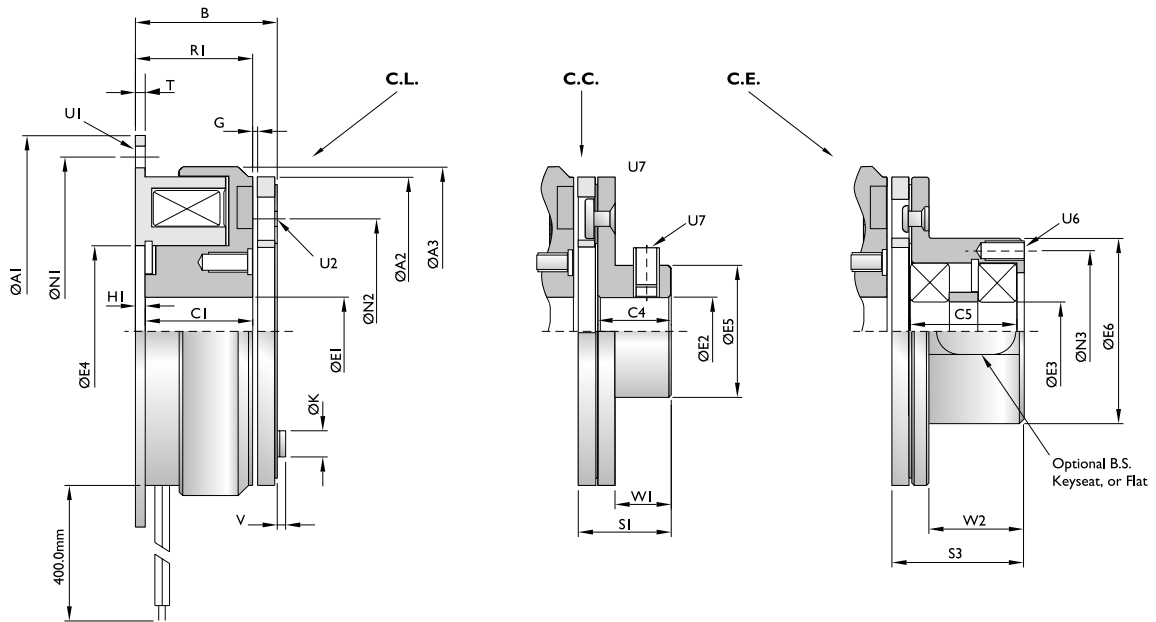
- Machinery



SIZE FIELD MOUNTING ARMATURE TYPE D.C. VOLTAGE

TC06 - TOOTHED CLUTCH - CL - 24

Technical data



Size	Torque TS (Nm)	Max P20 (W)	A1 H9	A2	A3	B	C1	C4	C5	Max E1 H7	Max E2 H7	E3	E4	E5	E6	G	H1	K	N1	N2	N3	R1	S1	S3	T	U1 x4	U2	U6	U7	V	W1	W2
TC06	21	15	80	63	66.5	27.1	22	15	20	17	17	12	35	27	38	0.2	2	6.1	72	46	33	22.5	20.5	27.7	2	4.5	3x3.1	3xM4	M5	1.5	11.5	20
TC08	50	20	100	80	85	27.5	24	20	23.5	22	20	15	42	32	45	0.3	2.5	8	90	60	37	24.5	26.9	35	2.5	5.5	3x4.1	3xM4	M5	2	16	25
TC10	110	16	125	100	107	30.8	27	25	32	30	30	20	52	42	55	0.3	3	9	112	76	47	27.6	32.8	42.1	3	6.5	3x5.1	4xM4	M6	2	19	30
TC12	195	37	150	125	133	35.6	30	30	42	40	35	25	62	49	64	0.3	3.5	10	137	95	52	30.6	40.6	53.5	3.5	6.5	3x6.3	4xM4	M6	2.5	24	40