

Spring Applied Power Off Brake



TYPE 56

Tel: +44 (0)1388 770 360 | sales@sgtransmission.com
www.sgtransmission.com

SG Transmission

The electromagnetic spring applied, power off brake (sometimes known as a safety brake or fail-safe brake) is designed so that when the electrical power supply is removed, the brake engages (power-off brake engagement). The spring applied brake can be designed to be used as a holding brake (parking), or dynamically where an emergency stop functionality is required (E-stop).

Our spring applied brakes are robust and reliable, generally incorporating multiple internal compression springs. The multiple springs provide an added safety feature, ensuring that the brake would still function should one spring fail prematurely. When power is cut the coil's magnetic field decays, the springs force an axially moving armature plate forwards to engage and lock the rotating friction disc.

Benefits

- Fail-safe
- Power off brake engagement/electrically released
- High braking torque
- High operating speeds (dependent on size)
- Precision holding
- Low moment of inertia

Features

- Horizontal and vertical mounting
- Toothed hub/friction disc connection
- Manual release versions available
- Special voltages/forces/mountings available on request
- Made in the UK

Key applications

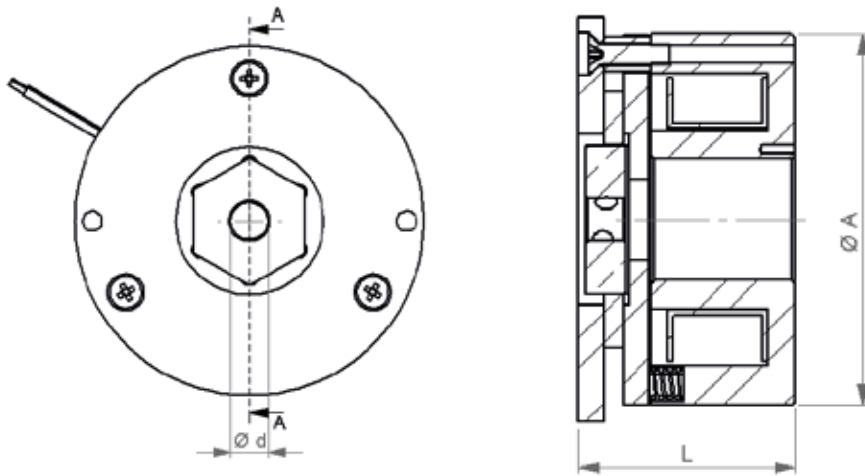
- Servomotors
- Material handling and industrial vehicles
- Lifting hoists and crane systems
- Small electric drives



TYPE SIZE FIELD MOUNTING D.C. VOLTAGE BORE

56 - 05 - S.A. BRAKE - A - 24 - E2

Technical data



Customised brakes

Unit ref	Static Torque (Nm)	A Diameter (mm)	L Length (mm)	Maximum Bore Diameter (mm)	Power (W)	Voltage (V)
SA-35	0.15	35	27.0	6.0	5.0	12 or 24
SA-40	0.4	40	30.5	8.0	5.3	12 or 24
SA-42	0.4	42	32.0	8.0	5.0	12 or 24
SA-55	2.5	55	32.0	8.0	12.0	12 or 24
SA-60	4	60	32.0	8.0	12.0	12 or 24
SA-70	7	70	34.1	15.0	15.0	12 or 24
SA70-1	10	70	46.5	15.0	17.3	12 or 24
SA-77	6	77	39.9	20/25*	16.0	12 or 24
SA77-1	12	77	39.9	20/25*	20.0	12 or 24
SA-90	20	90	43.9	20/25*	20.0	12 or 24

* 20 with key / 25 without