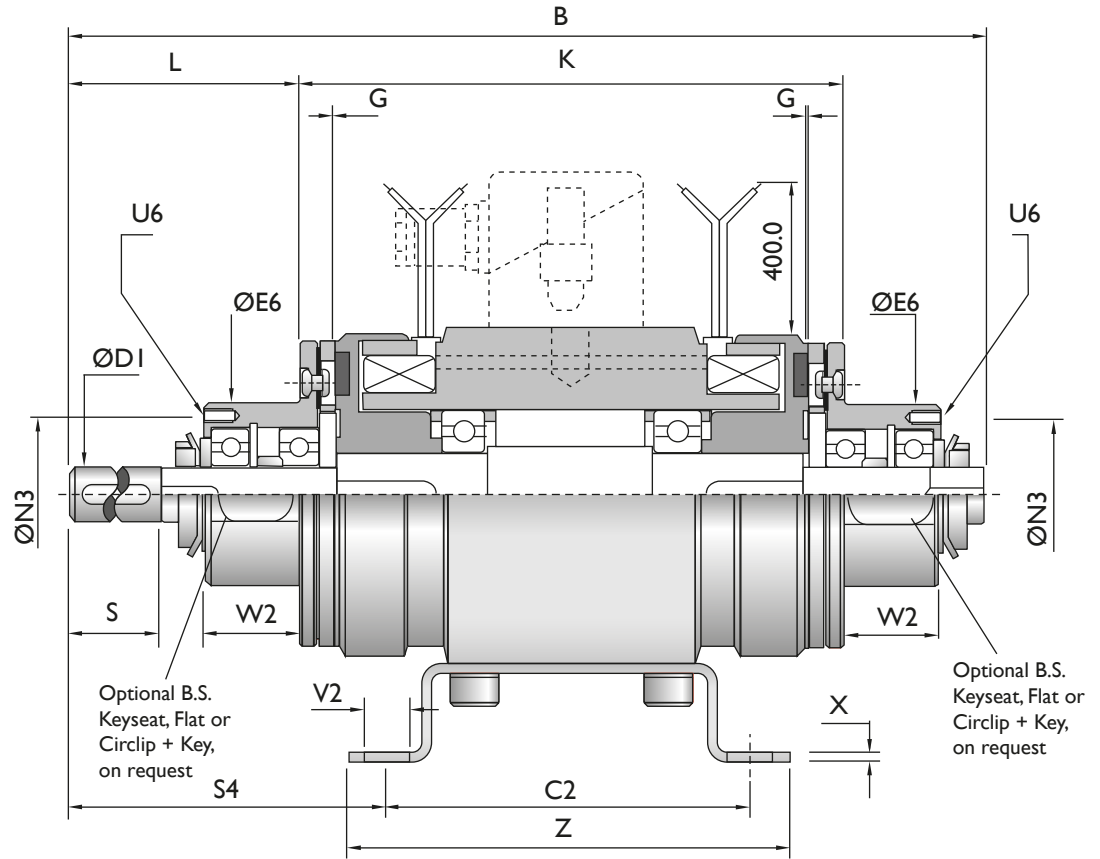
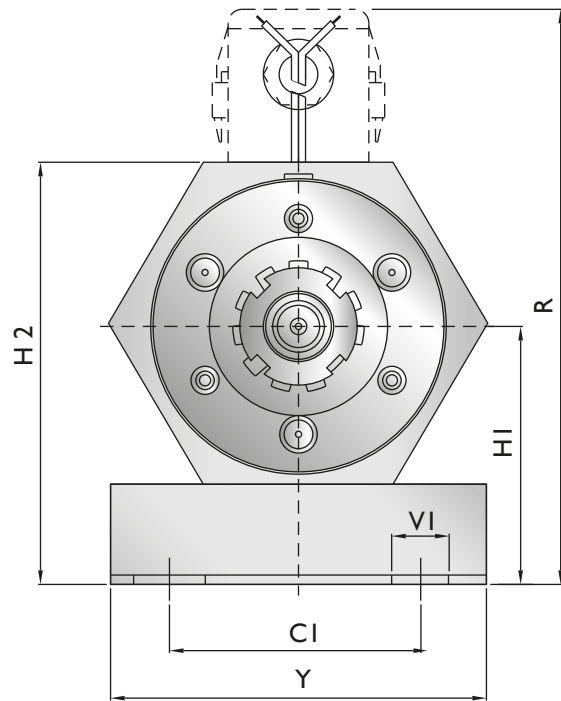


Double Clutch Brake Hexagonal Housing Type 54



SG Transmission

ELECTROMAGNETIC CLUTCH AND BRAKE SOLUTIONS