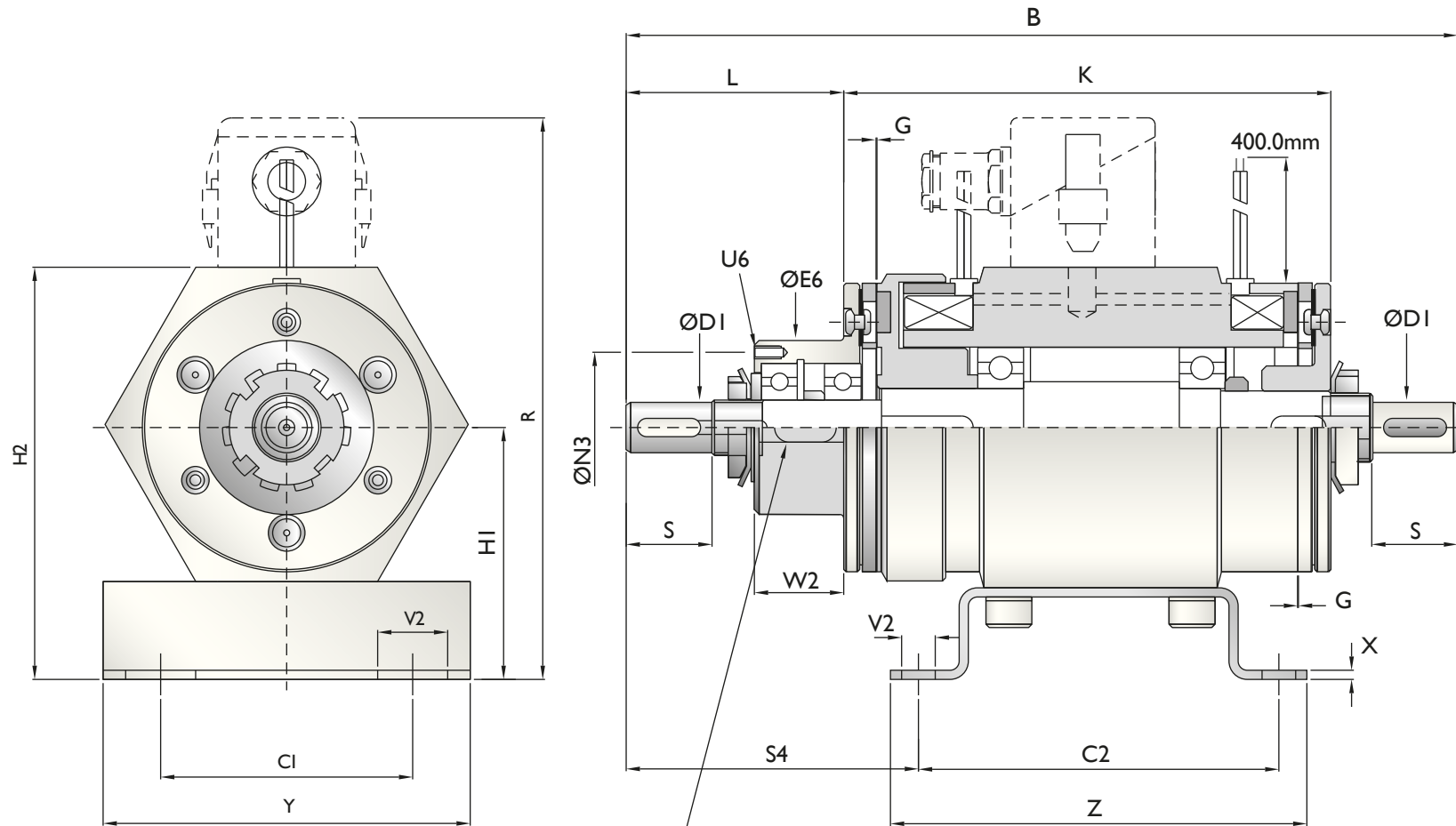


Clutch Brake Hexagonal Housing Type 54



Optional B.S. Keyseat, Flat or Circlip + Key, on request



SG Transmission

ELECTROMAGNETIC CLUTCH AND BRAKE SOLUTIONS